



Bell Hydromatics

Fixed Displacement Vane Pumps

Single Pumps

IVP(Q)2



IVP(Q) Single Pumps Max. Continuous Pressures

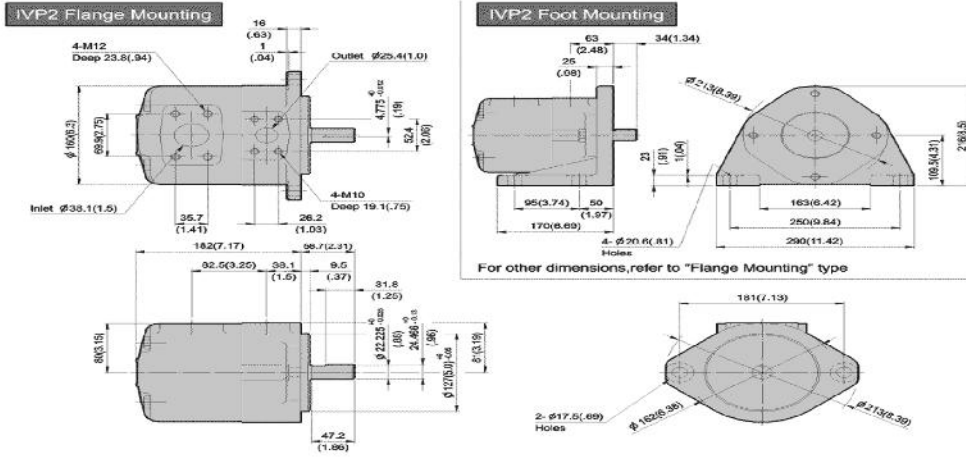
Frame Size	◆Code	Geometric Displacement cm ³ /r	IVP(Q)		F11-IVP(Q)		F3-IVP(Q)		Min. Speed (rpm)
			♣using antiwear oil or phosphate ester fluid		Using water glycol fluid		Using Water-in-oil emulsions		
			Max. Pressure (bar)	Max. Speed (rpm)	Max. Pressure (bar)	Max. Speed (rpm)	Max. Pressure (bar)	Max. Speed (rpm)	
IVP(Q)2	10	32.5	172	1800	157	1500	138	1200	600
	12	38.3							
	14	43.3							
	15	46.7							
	17	52.5							
	19	59.2							
	21	65.0							
	25	78.6	138	138					

◆ Transient (peak) pressure 10% over the max. continuous pressure rating for 0.5 seconds or less duration is allowed.

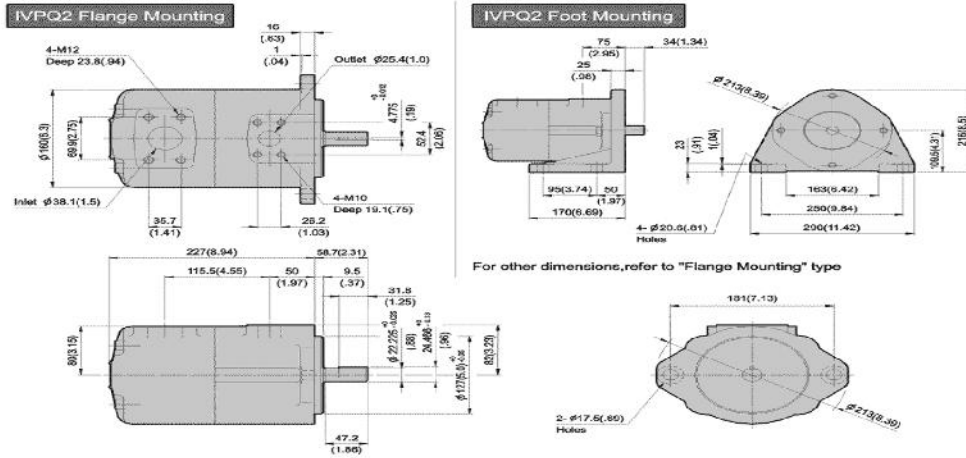
♣ Rated capacity in USgpm at 1200 rpm and 6.9 bar

Dimensions

IVP2 Single Pumps – Dimensions

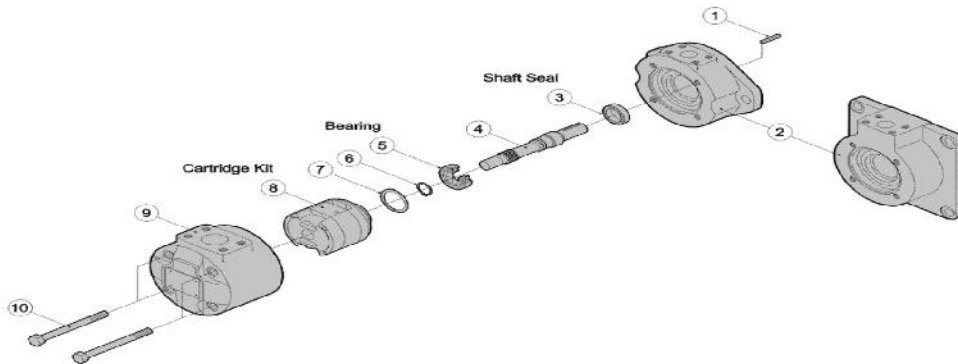


IVPQ2 Single Pumps – Dimensions



Assembly

IVP2 Single Pumps – Assembly



IVPQ2 Single Pumps – Assembly

